

EK-7688AM+

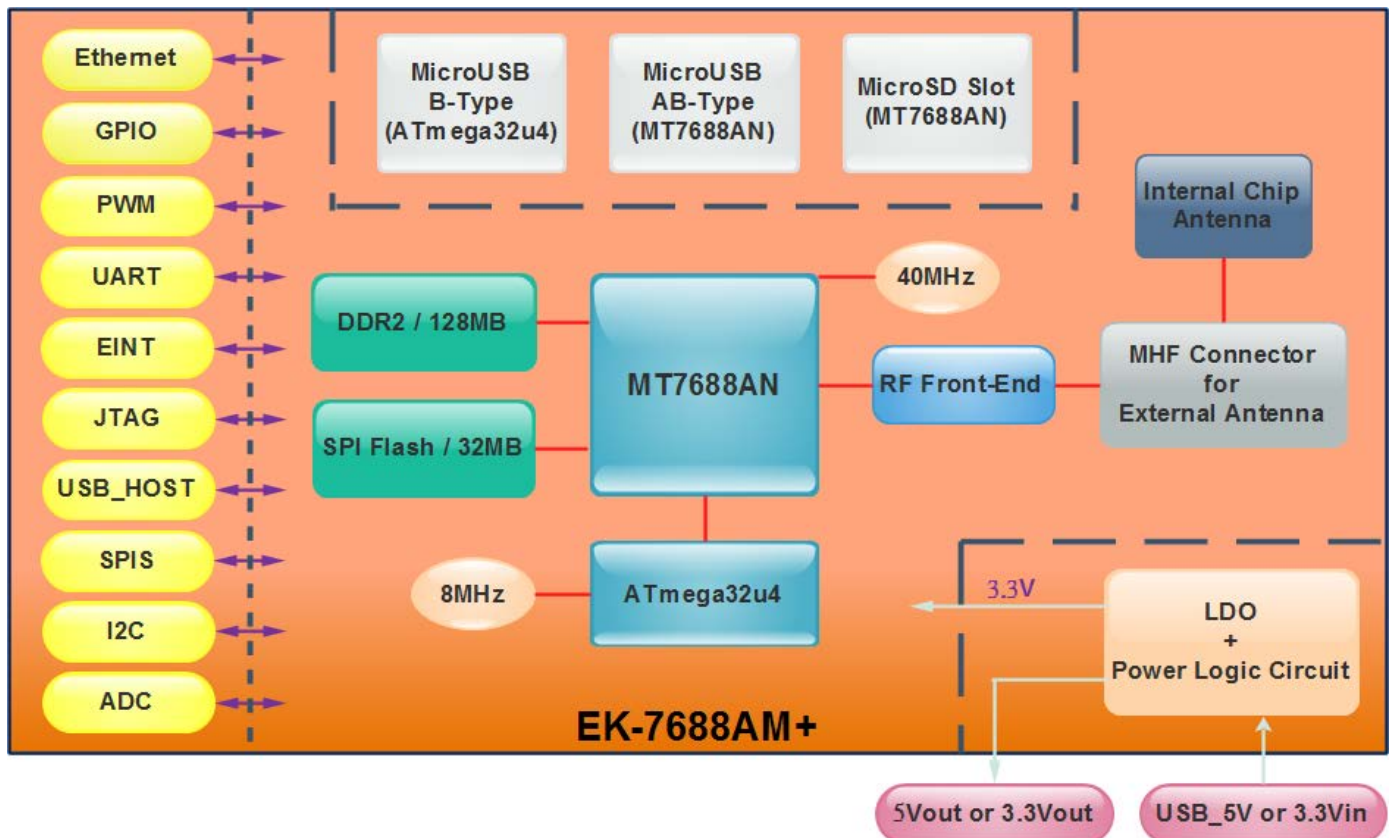
Product Brief

IoT Module

FEATURE

- MPU : MT7688AN (Runs at 580MHz MIPS)
- Has 32MB Flash and 128MB DDR2 RAM
- Built-in USB Host and Micro SD connectors
- Supports 2.4G Wi-Fi IEEE802.11b/g/n
- Integrate Chip Antenna
- USB Micro-AB (USB_HOST)
- MicroSD Slot
- Provides Pin-Out :
 - Ethernet
 - GPIO x 3
 - UART
 - USB Host
 - JTAG
 - I2C
- MCU : ATmega32u4
- Clock Speed : 8MHz
- USB Micro-B (Power / COM Port)
- Provides Pin-Out :
 - GPIO x 24
 - PWM x 8
 - UART
 - External Interrupts x 8
 - SPI Slave
 - ADC x 12

EK-7688AM+ Block Diagram

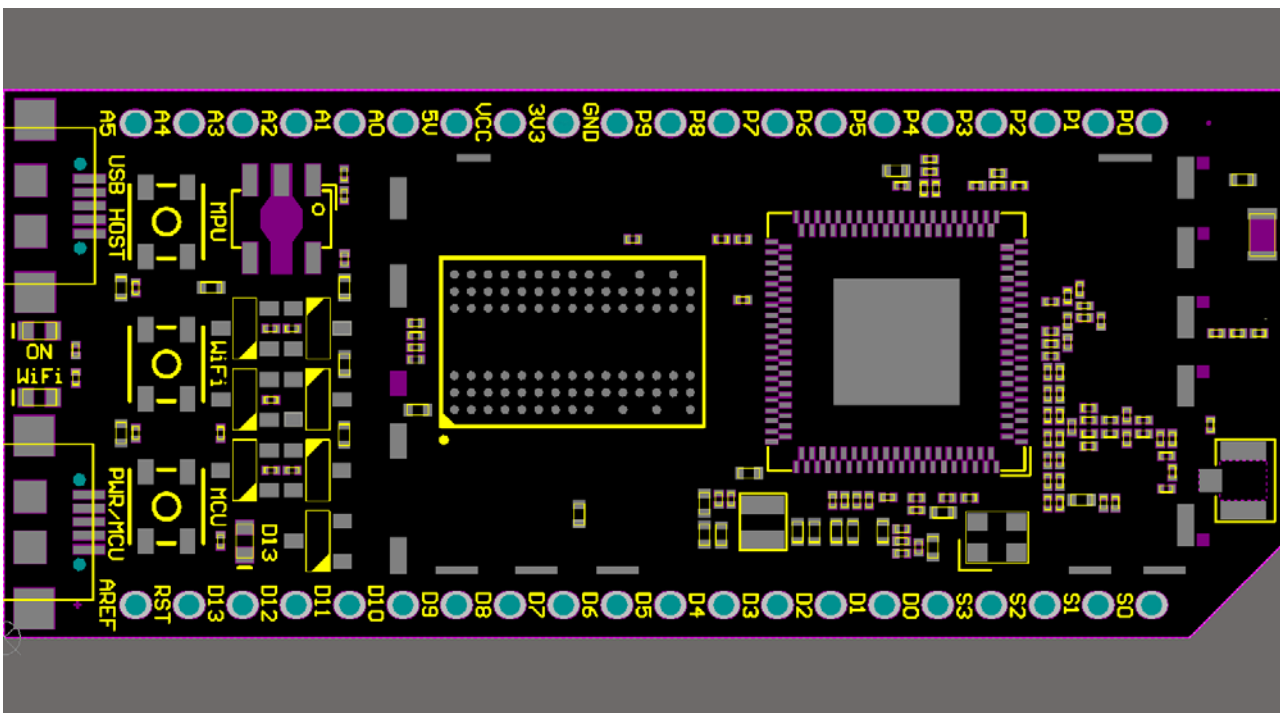


EK-7688AM+ Product Brief

Operation Conditions

Power Supplies	5V (USB Micro-B) or 3.3V (Pin Breakout)
I/O Voltage	3.3V
Dimension	60.8 mm x 26 mm (Typ.)
Package	DIP
Temperature	<ul style="list-style-type: none"> Operating : -10°C ~ +70°C Storage : -40°C ~ +85°C
Humidity	<ul style="list-style-type: none"> Operating : 10 ~ 95% (Non-Condensing) Storage : 5 ~ 95% (Non-Condensing)

Pin Assignment



LinkIt Smart 7688 Duo											
Chip PIN NAME				ATmega324A		ATmega324A					
GND	MPU RESET		PORST_N	P0	S0	PB3		EINT	MISO		GPIO 17
POWER		GPIO 43	EPHY_LED0_N	P1	S1	PB2		EINT	MOSI		GPIO 16
CONTROL			MDI_TP_PO	P2	S2	PB1		EINT	SCLK		GPIO 15
DIGITAL			MDI_RN_PO	P3	S3	PB0		EINT	SS		GPIO 14
ANALOG			MDI_RN_PO	P4	D0	PD2	D0		UART RX		UART_TXD0
PWM			MDI_TP_PO	P5	D1	PD3	D1		UART TX		UART_RXD0
SERIAL			MDI_TN_PO	P6	D2	PD1	D2		SDA		
			USB_DP	P7	D3	PD0	D3		SCL	PWM	
		GPIO 20	USB_DM	P8	D4	PD4	D4		ADC		
		GPIO 21	UART_TXD2	P9	D5	PC6	D5			PWM	
			UART_RXD2	P0	D6	PD7	D6		ADC	PWM	
			GND	GND	D7	PE6	D7				GPIO0
			3V3	3V3	D8	PB4	D8	EINT	ADC		
			VCC	VCC	D9	PB5	D9	EINT	ADC	PWM	
			5V	5V	D10	PB6	D10	EINT	ADC	PWM	
	ADC	D14	PFO	A0	D11	PB7	D11	EINT		PWM	
	ADC	D15	PF1	A1	D12	PD6	D12		ADC	PWM	
	ADC	D16	PF4	A2	D13	PC7	D13			PWM	D13 LED
	ADC	D17	PF5	A3	RST	RST			MCU RESET		GPIO3
	ADC	D18	PF6	A4	AREF	AREF					
	ADC	D19	PF7	A5					AREF		