

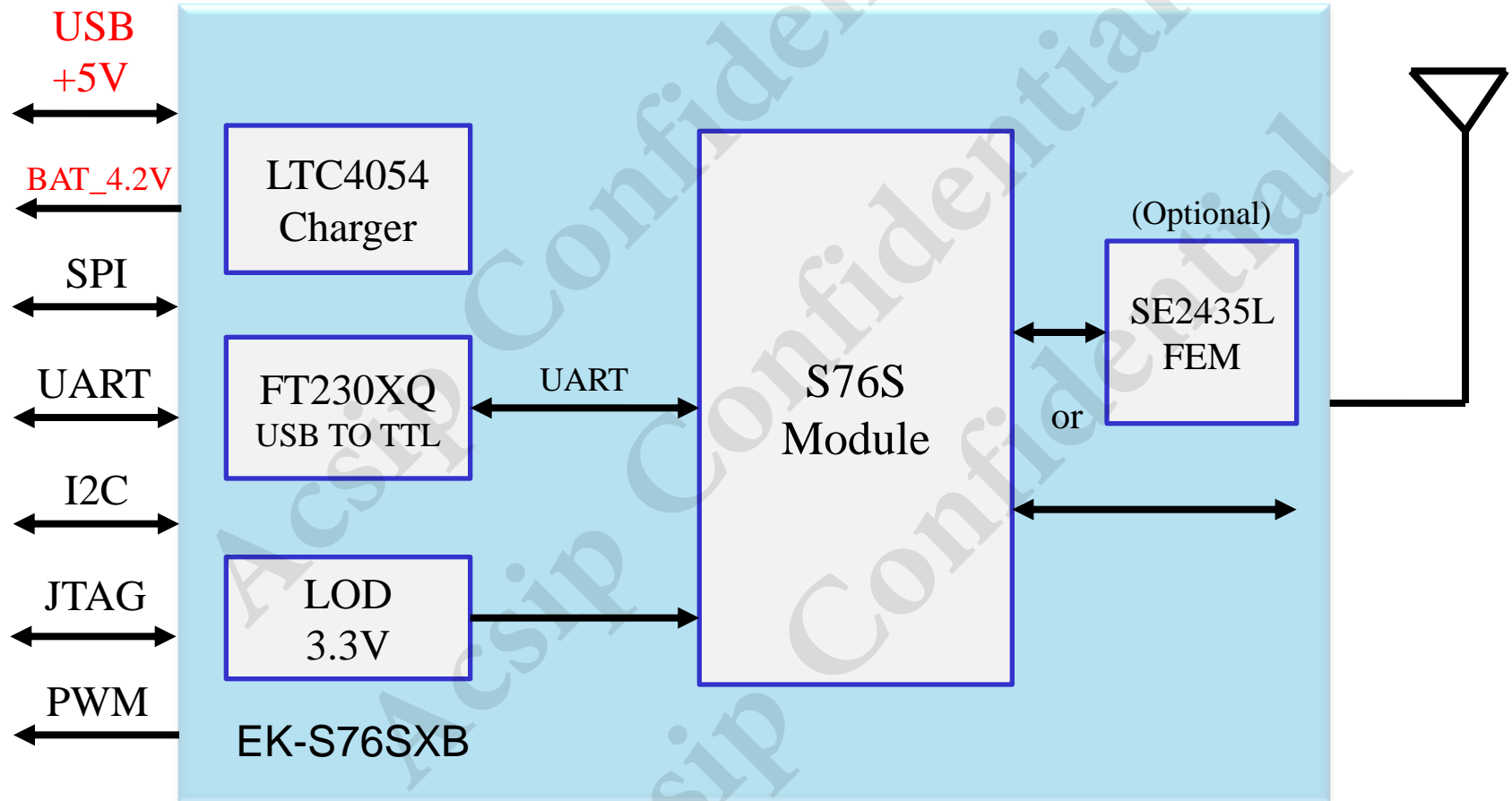
EK-S76SXB User Guide

2017/08/22

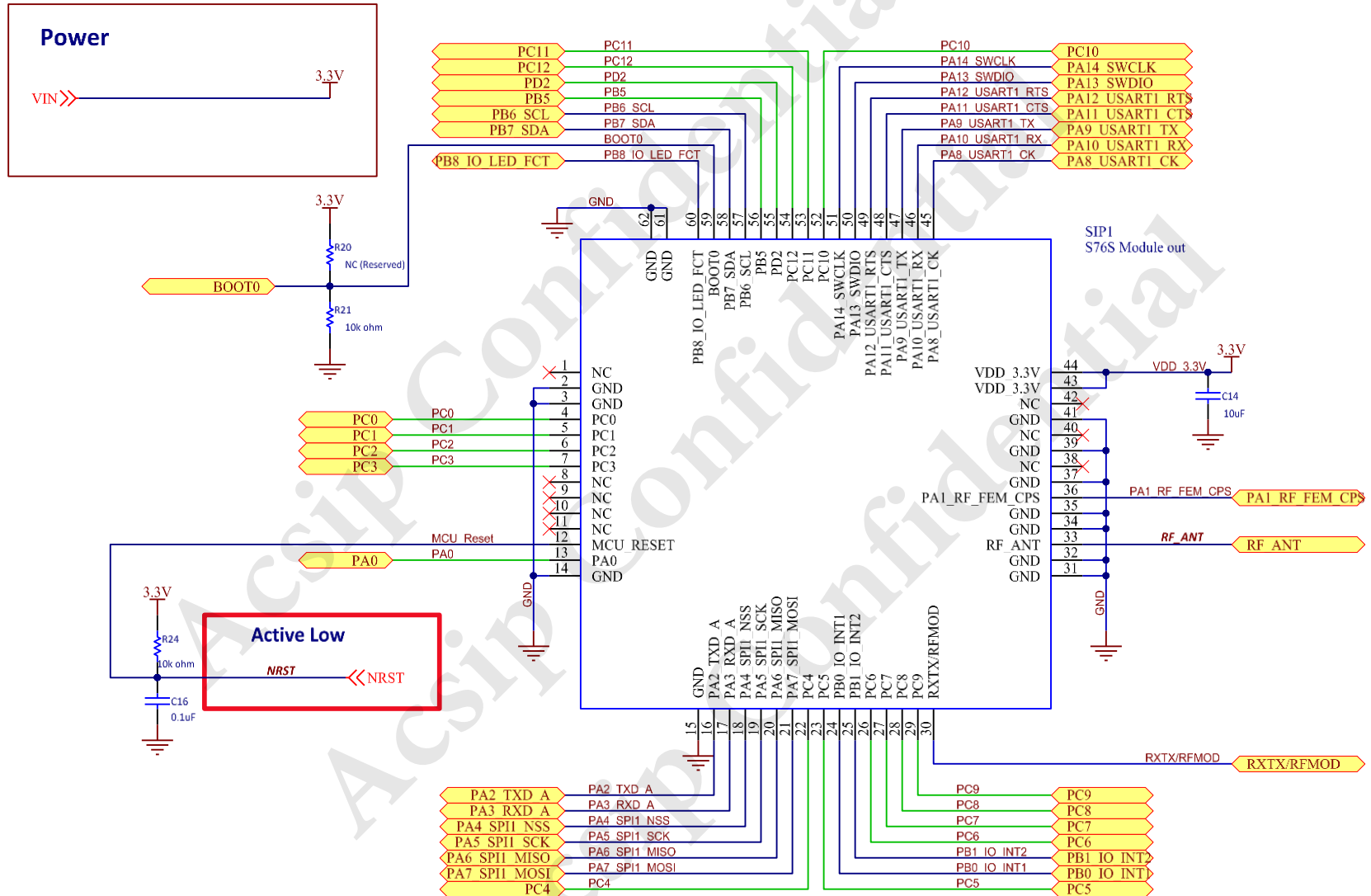


An IoT Solution Company

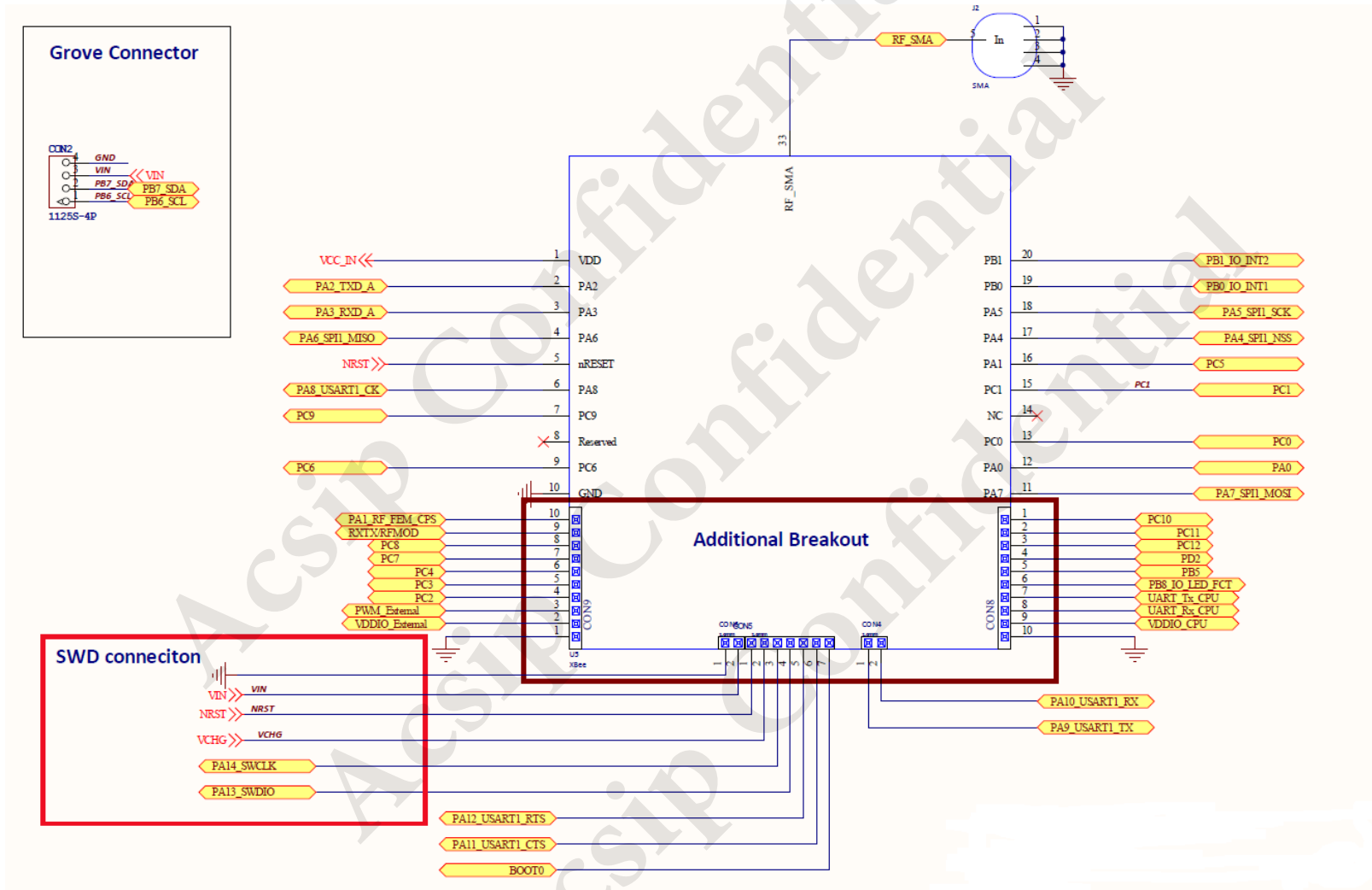
Block diagram



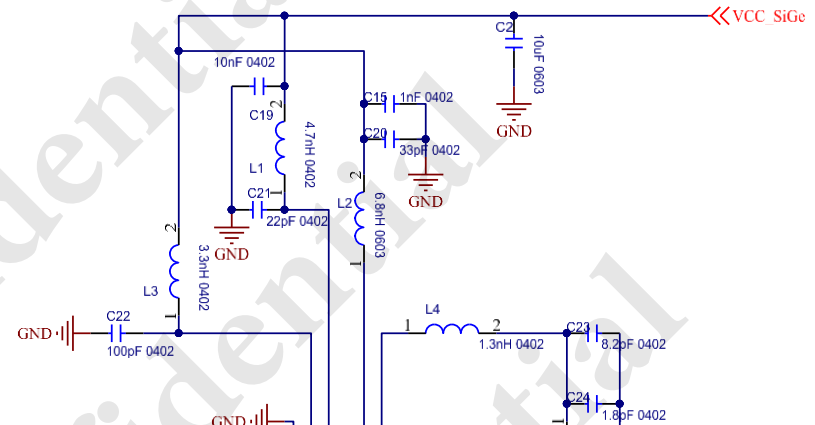
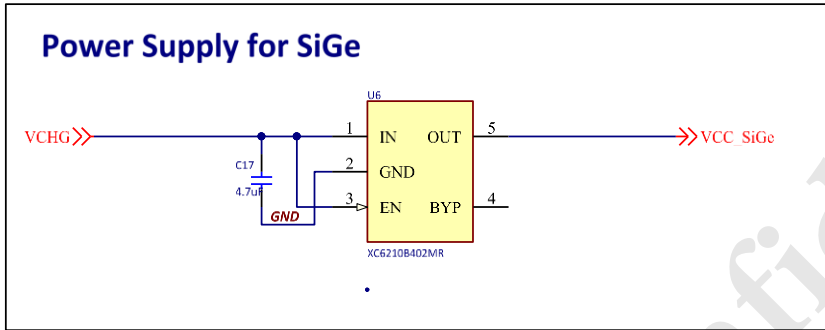
S76S Breakout Schematic



XBee Breakout Schematic

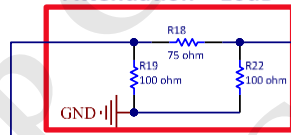


Front-End Schematic



Attenuator for PA I/P power tuning

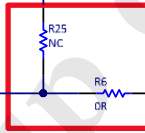
Attenuation = 10dB



PC8

PA1 RF FEM CPS
 RX TX/RFMOD

RF ANT



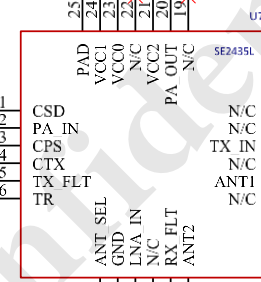
Co-Pad, one path take place at the same time

RF bypass to SMA connector

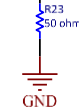
How to turn on FEM:

1. Rework R6/R26 to R25/R27
2. Pull high PC8 pin to enable.

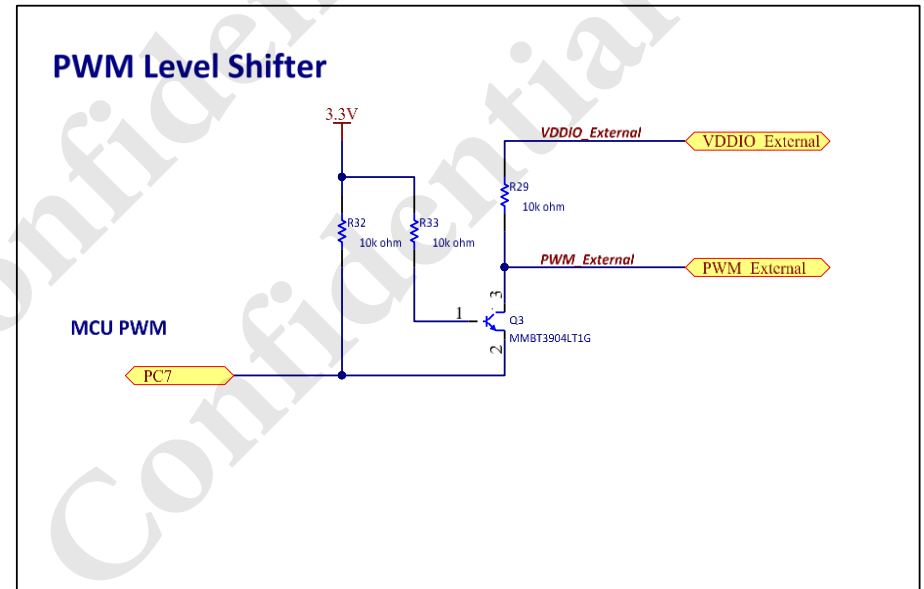
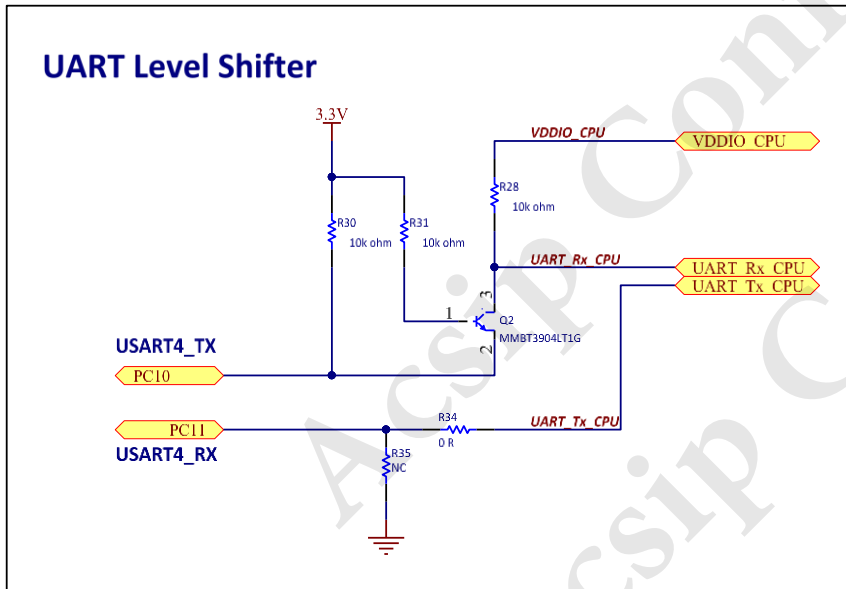
RF SMA



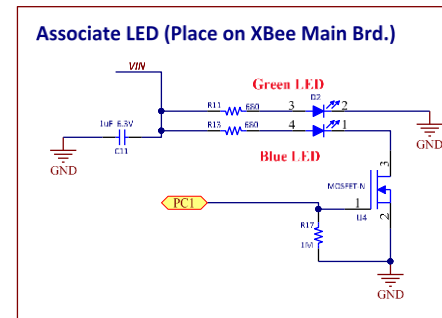
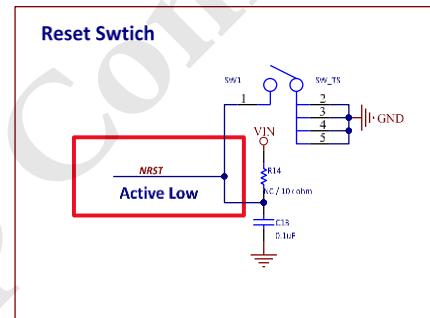
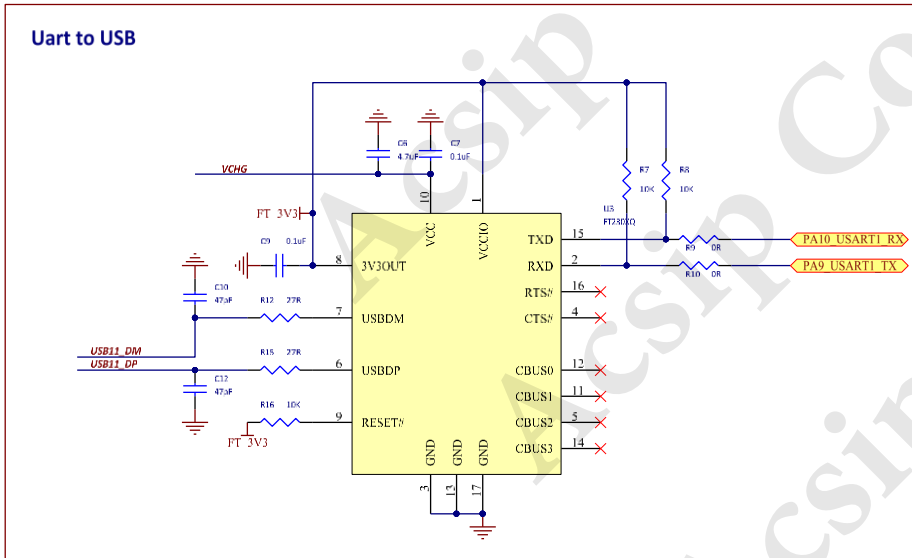
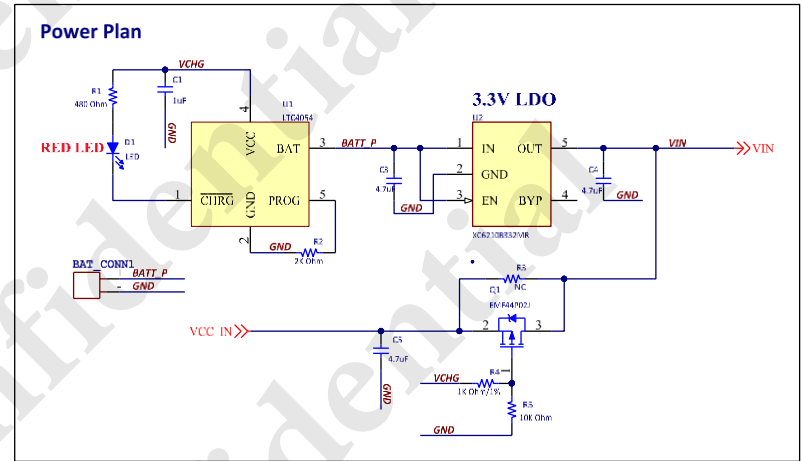
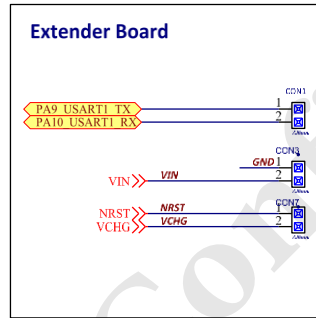
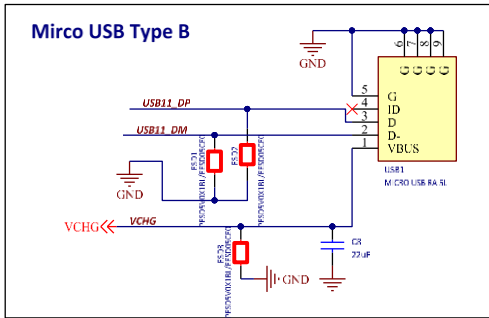
ANT1 connect to shunt 50ohm



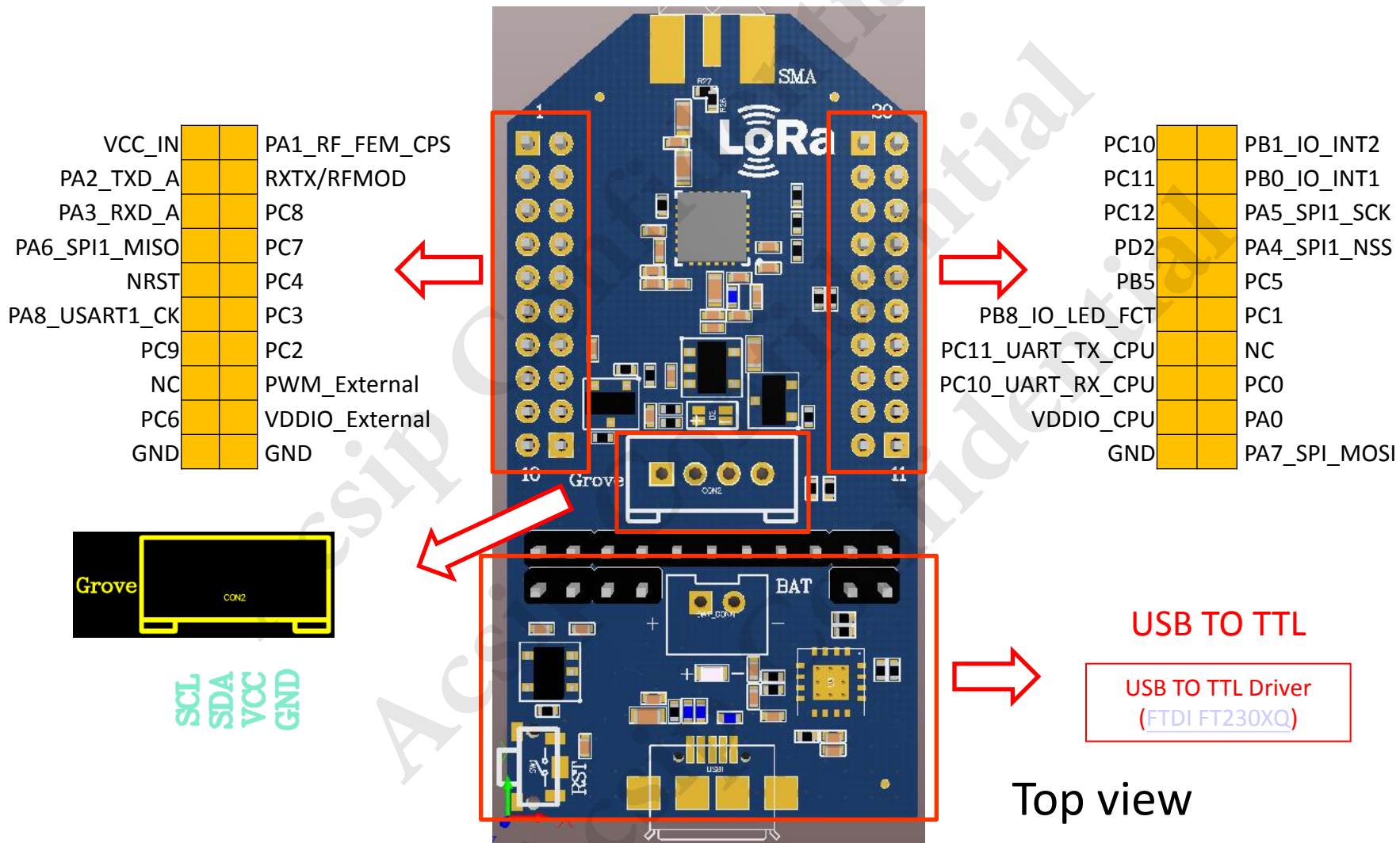
Level Shifter Schematic



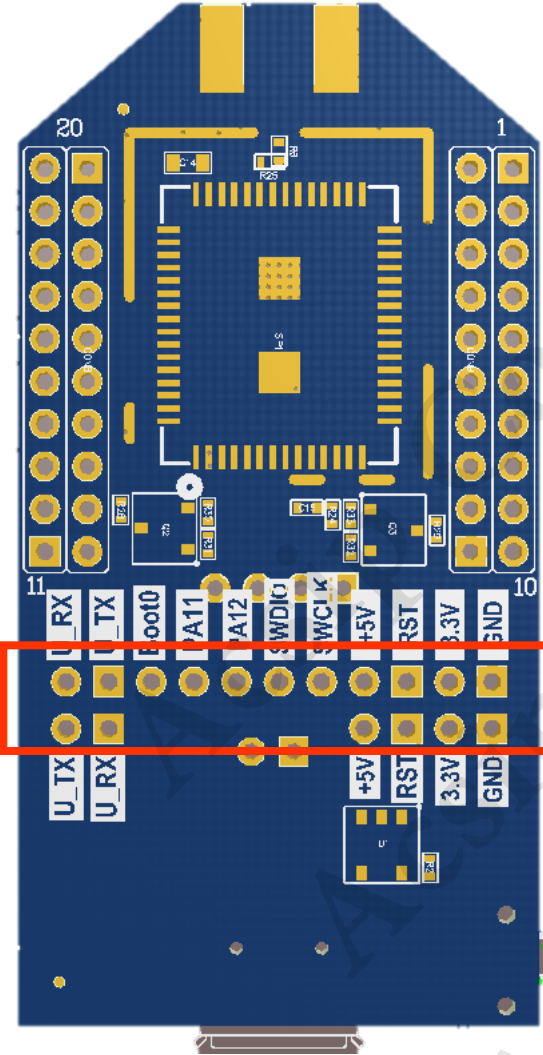
EE Port Schematic



Breakout Pin Definition

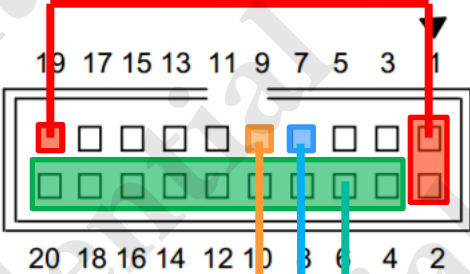


Breakout Pin Definition

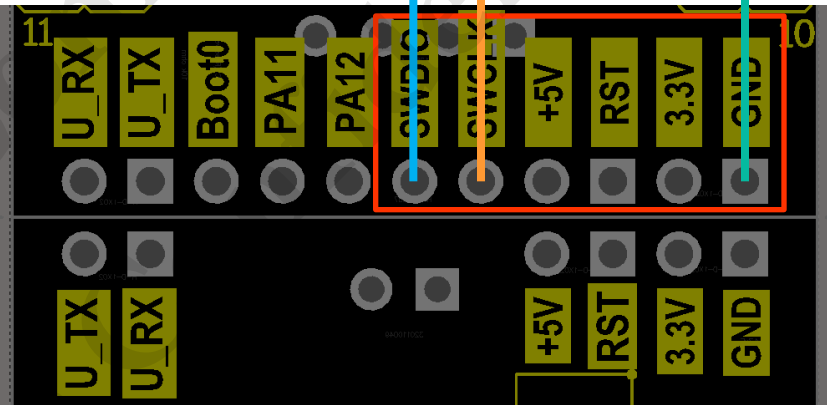


SWD Wiring

- 1,2:TVCC
- 6 :GND
- 7 :SWDIO/TMS
- 9 :SWCLK/TCK
- 19 :3.3V

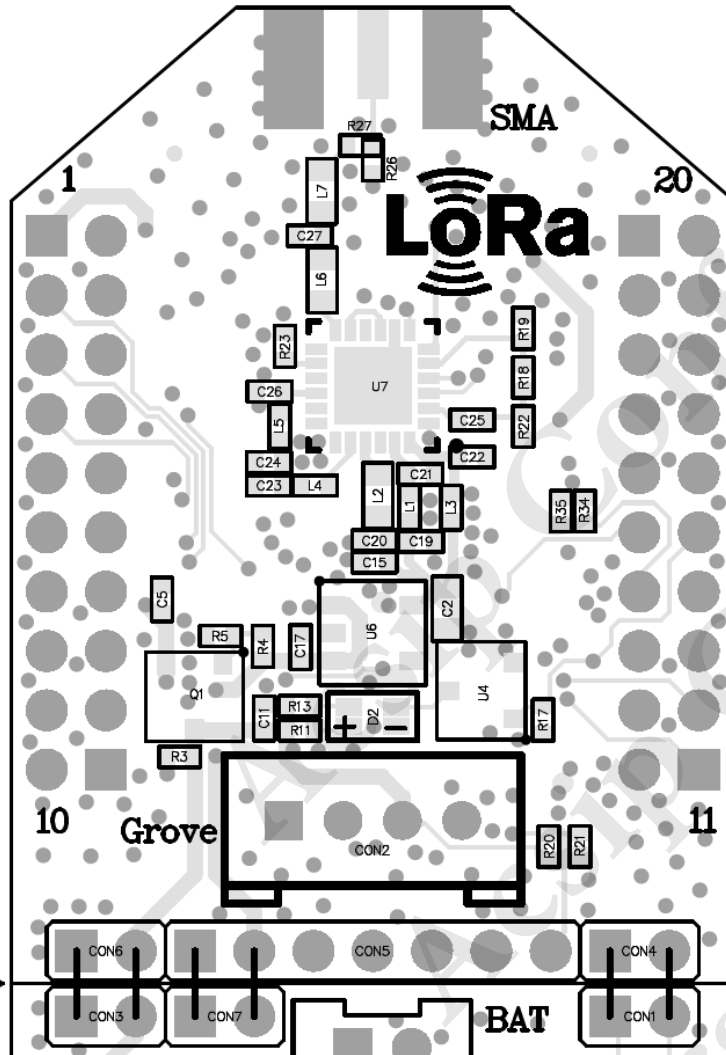


ST-Link/V2

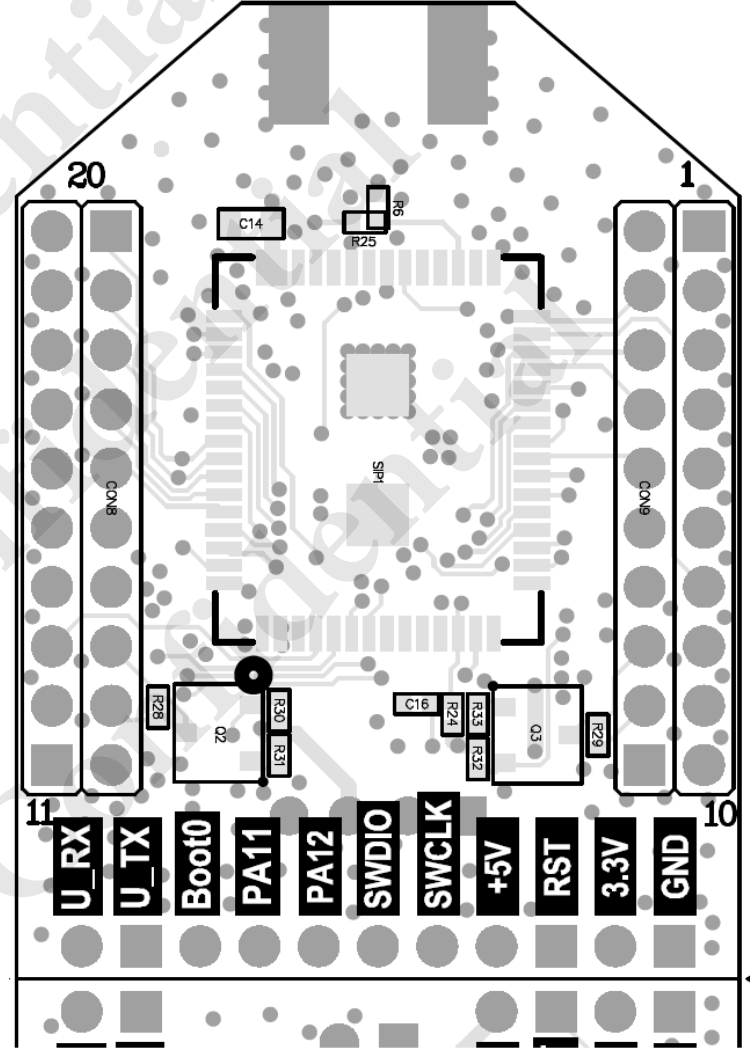


Bottom view

Component Location

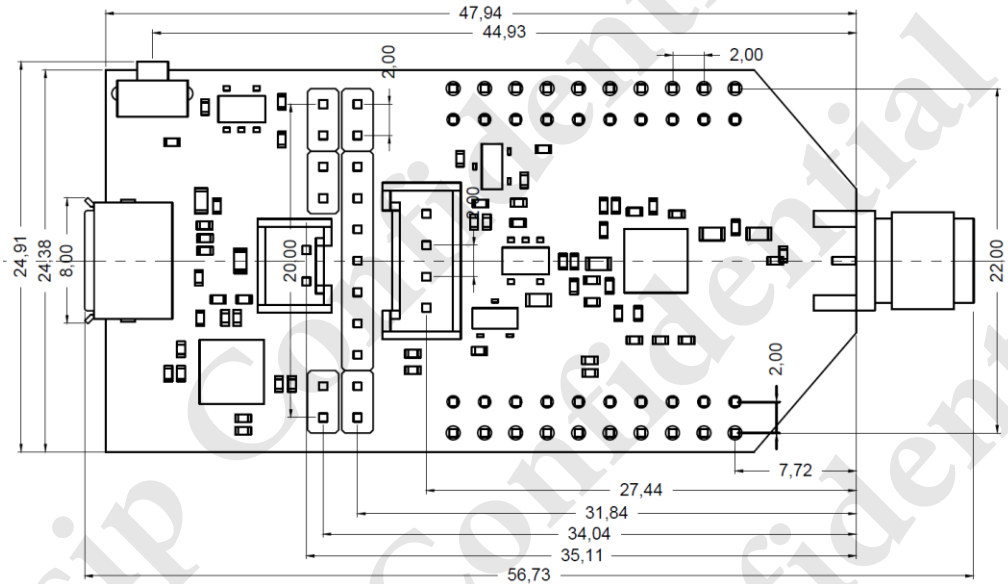


Top view

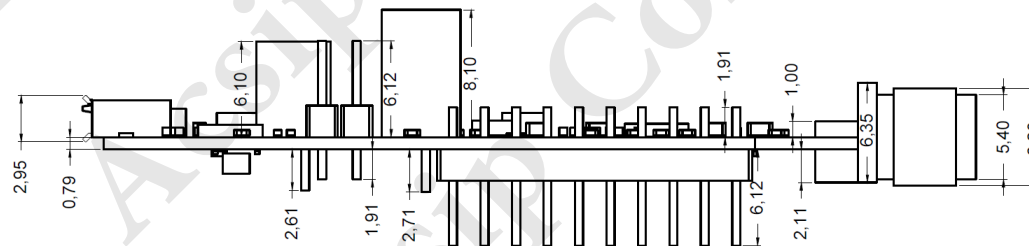


Bottom view

Mechanical Drawings



Top view



Side view